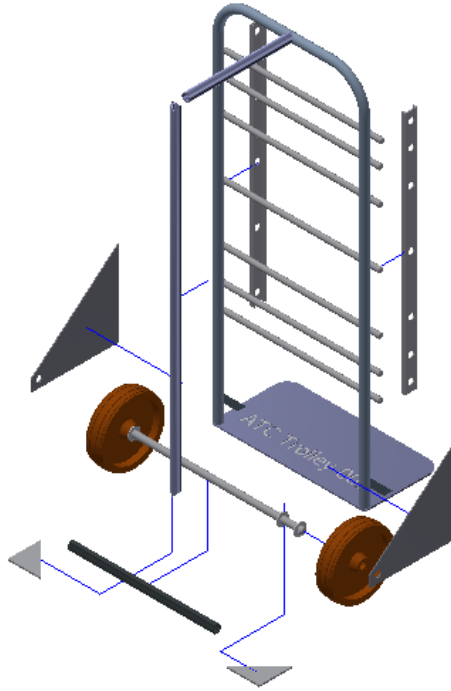


TUTORIAL 16



Create a Presentation Arrangement of the Trolley Assembly.

Set this out to your own design do not copy the illustration.

Ensure that the teak trails are **not** visible.

Save the presentation as an ipn file for use in the assignments.

Save the file as Tutorial 16.dwfx for handing in.